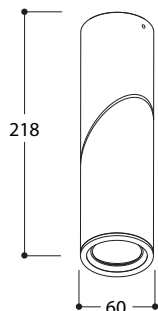


ref name MINI SCOOP

179017	MINI SCOOP POWERLED 3x1W CW TEXT WHITE
179027	MINI SCOOP POWERLED 3x1W WW TEXT WHITE
179047	MINI SCOOP POWERLED 3x1W R TEXT WHITE
179087	MINI SCOOP POWERLED 3x1W B TEXT WHITE
179117	MINI SCOOP POWERLED CR CW TEXT WHITE
179127	MINI SCOOP POWERLED CR WW TEXT WHITE
179247	MINI SCOOP GU10 TEXT WHITE

179221	MINI SCOOP GU10 WHITE + CHROME
--------	--------------------------------

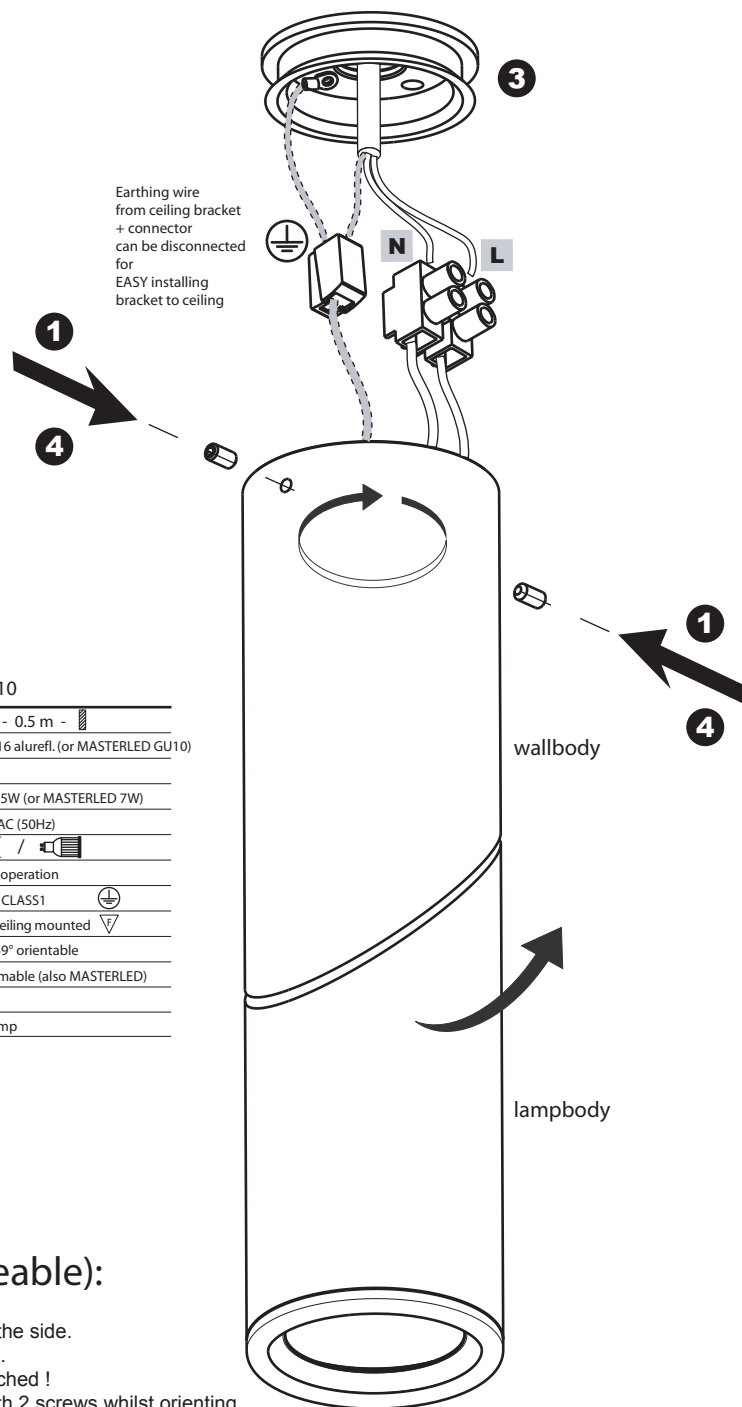


	POWERLED 3x1W	POWERLED CR 6W	GU10
safe distance to object	ⓘ - 0.1 m - ⓘ	ⓘ - 0.1 m - ⓘ	ⓘ - 0.5 m - ⓘ
lamptype	3 x powered	4 x powered	QPAR16 alurefl. (or MASTERLED GU10)
fitting	/	/	GU10
watt	3 x 1,2W	4 x 1,5W	max.35W (or MASTERLED 7W)
voltage	100-240V AC (50Hz)	100-240V AC (50Hz)	230V AC (50Hz)
symbol	⚡	⚡	⚡ / ⚡
gear	Convertor incl.	Convertor incl.	Mains operation
ip/class	IP20 - CLASS1 ⓘ	IP20 - CLASS1 ⓘ	IP20 - CLASS1 ⓘ
application	Wall, ceiling mounted ▼	Wall, ceiling mounted ▼	Wall, ceiling mounted ▼
orientability	90°-359° orientable	90°-359° orientable	90°-359° orientable
dimmiability	Not dimmable	Not dimmable	R dimmable (also MASTERLED)
weight	0.6	0.6	0.6
beam angle	30°	30°	see lamp

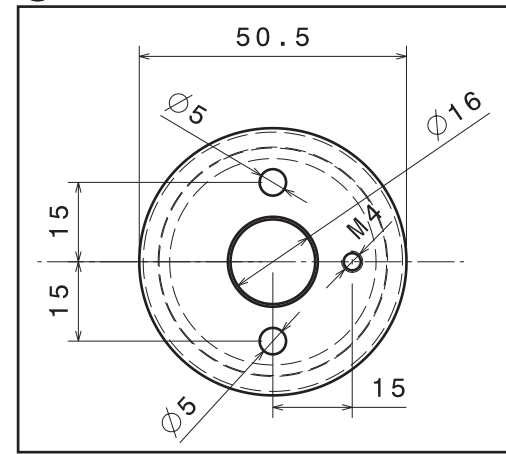
INSTALLATION AND MAINTENANCE INSTRUCTIONS IN VIEW OF THE MANUFACTURER'S GUARANTEE.  
 1. THE CONNECTION AND TESTING OF THE DEVICES SHOULD ALWAYS BE PERFORMED BY A RECOGNIZED ELECTRICIAN.  
 2. THESE LIGHTING DEVICES NEED TO BE INSTALLED, CONNECTED AND TESTED FOLLOWING THE OFFICIAL NATIONAL INSTRUCTION GUIDE FOR ELECTRICAL INSTALLATIONS (BELGIUM, A.R.E.L., GERMANY: DIN VDE 0100 TEIL 559 A2, ... THIS ENUMERATION IS JUST AN INDICATION)  
 3. THIS TECHNICAL ENCLOSURE NEEDS TO BE ADDED TO THE GENERAL SALES CONDITION OF THE TAL N.V.  
 4. THE ELECTRO TECHNICIAN IS RESPONSIBLE TO USE BALLASTS, TRANSFORMERS,...WHICH MEET THE VALID CE AND EMC RULES.  
 5. ALWAYS REPLACE THE LAMP (-S) WITH UTMOST CAUTIONSNESS, THE LAMP (-S) IS (ARE) VERY FRAGILE.  
 6. ATTENTION: NEVER REPLACE THE LAMP WITH BARE HANDS, ALWAYS USE A CLOTH!

### POWERLED (non replaceable):

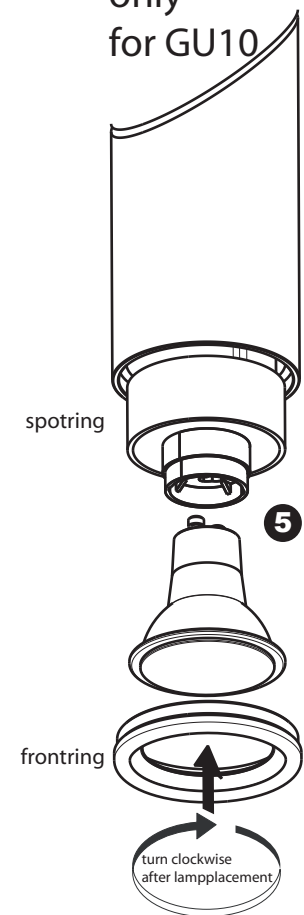
- Mounting instructions:
- 1.preparation: partially unscrew 2 screws on the side.
  - 2.fix wall rozas to wall or ceiling using pattern.
  - 3.connect mains power supply. Leave unswitched !
  - 4.move wallbody gently over rozas and fix with 2 screws whilst orienting. (switch on mains power supply.)



### 2 FIXATION DRILL PATTERN:



! only for GU10



### GU10:

- Mounting instructions:
- 1.preparation: partially unscrew 2 screws on the side.
  - 2.fix wall rozas to wall or ceiling using pattern.
  - 3.connect mains power supply. Leave unswitched !
  - 4.move body gently over rozas and fix with 2 screws whilst orienting.
  - 5.(re)place appropriate lamp:
    - by removing frontring
    - insert lamp into lampholder
    - slide spotring back in to lampbody
    - rescrew frontring
 (switch on mains power supply.)